

ANTI-STATIC BARS

3024 ULTRA-COMPACT 24 V DC IONISER

An ultra-compact 24 V DC Static Eliminator, ideal for installation in areas where space is at a minimum. Powerful, compact and easy to install.

Static neutralisation to meet the requirements of high-performance machinery at close range. Integrated power supply, requires only a low voltage 24 V DC input.

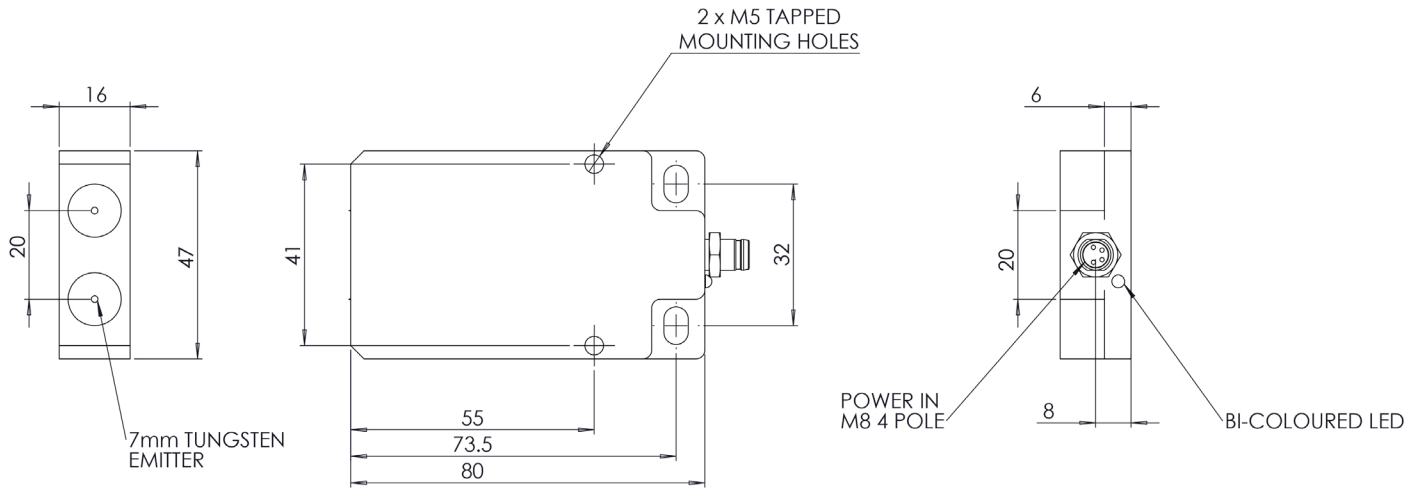
- > Shockless, resistively coupled tungsten emitters for unlimited life.
- > Pulsed DC high voltage provides excellent charge decay performance even at longer distances.
- > Ion balance suitable for most industrial applications.
- > Ideal operating range 20 - 150 mm.
- > Remote monitoring of operational status.
- > LED status indication:
Green = OK, Green/Red flashing = Attention required, Red = Fault, Red flashing = Standby.
- > Standard M8 4-pin connector.
- > Integrated high voltage electronics means no high voltage cables required.
- > Protected against under-voltage, overload and reverse polarity.
- > Easy to mount via integrated fixing holes.



Specification

Electrical Supply:	24 V DC (21 - 28 V). Maximum current 0.25 A. M8 connector. The M8 x 4 core cable must be ordered separately - see cable options overleaf (p2).
Remote Monitor:	Uses 24 V supply to send signal to the PLC or other destination. Outputs compatible with IEC 61131-2 'Type 3' PLC inputs. Signal protected against short circuit or mis-wiring.
High Voltage Supply:	+/-7 kV supply integrated inside Ioniser.
Operating Distance:	20 - 150 mm.
Construction:	PVC body, epoxy resin encapsulant, tungsten emitter.
Protection Classification:	IP67.
Environment:	0 to 55° C, 70 % RH non-condensing.
Options:	An external AC-DC PSU can be ordered if 24 V DC is not available. 100 - 250V AC, Power Supply. Code: E3024-PSU.
Weight:	100 g.
Standards:	CE and UL.

Dimensions



Mounting

Mounting onto the machine is achieved with fixing holes integrated into the product body.

Can be combined with nozzles and gun handles to form ionised air cleaning devices (see Fraser range of Dust and Static products).



Accessories / Spares

Description	Part No.	Description	Part No.
3 m cable with 180° connector	80892	3 m cable with 90° connector	80933
5 m cable with 180° connector	80930	5 m cable with 90° connector	80934
7.5 m cable with 180° connector	80931	7.5 m cable with 90° connector	80935
10 m cable with 180° connector	80932	10 m cable with 90° connector	80936
Universal AC-DC power supply: 100 - 250 V AC, 24V DC output Fitted with 1.5m of cable	E3024 - PSU	2 m M8 male to M8 female 4-pin extension cable for AC-DC power supply cable	80937
Fraser Ioniser Cleaning Kit	81220		

Cables must be ordered separately in addition to Ioniser. They have standard M8 4 pin female connectors.